

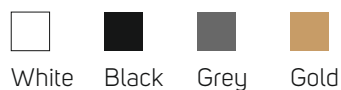


DUAL CHANNEL RELAY SWITCH

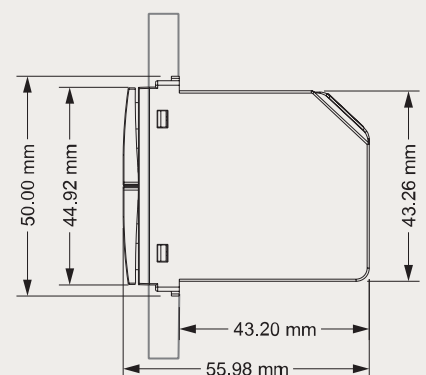
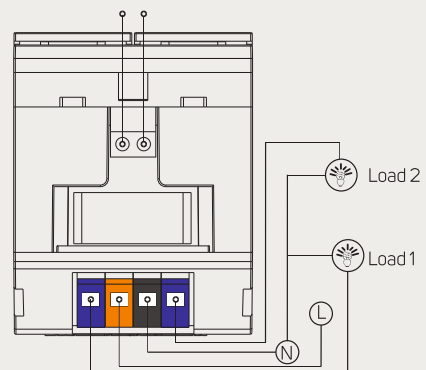
(OS-SS-2CH-REL-2M-XX)

(Fits so easily on a 2 module junction box)

Available in:

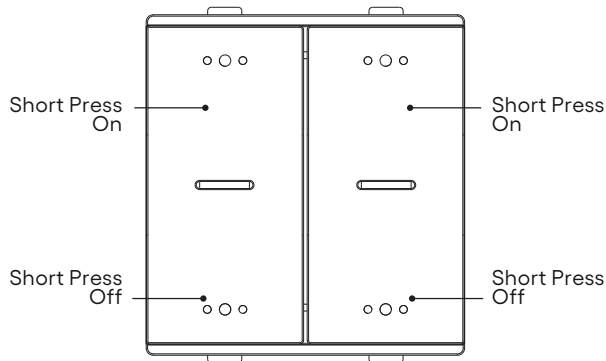


SLBUS





Specifications Front view

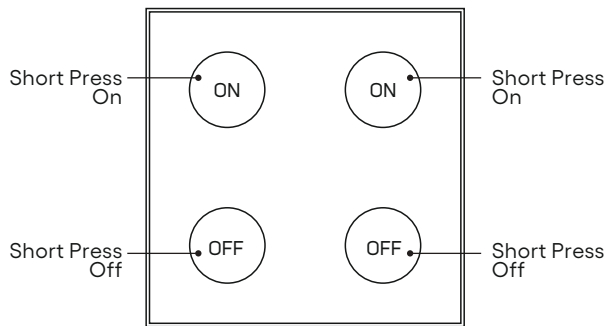


Features :

- Two Independent Channels integrated in one module.
- Basic Control ON/OFF.
- Backlit indication for locating buttons in the dark.
- Programmable backlit LED intensity to suit your need.
- Stylish, innovative, modular and compact design.
- Advanced Zoning, Scene control supported for mood lighting.
- Short Circuit Protection through on device fuse implementation.
- SmartSwitching@ZeroCrossing: This increases life of the load connected to the switch.
- Support IEEE802.11b/g/n Wi-Fi Standards.
- Built-in Scheduler.
- Automatic Firmware upgrade over the air.



Specifications Front view



System Requirements :

- OSUM-BPS to power the SL-Bus optional, (if you are networking the devices over wired bus)
- Android version 6.1 and above, IOS version 12.0 and above, IPADOS version 11.0 and above, with Wi-Fi connectivity.
- OSUMONE User App to control the system. (downloadable from Play Store & App Store)
- Other OSUM devices to form the complete system.

Technical Specification :

Parameter	Type	Remarks
Power	AC Input	Universal Range 90-264VAC, 47-63 Hz/ 4Amp (Max)
	Maximum Load Capacity	400Watts/Channel, 4Amp Max Ohmic Load
	Idle Power Consumption	Less than 0.2W(Average)
Control Inputs	Local Buttons/Channel	Button-1 for ON and Button2 for OFF Control
	Control and Configuration	WiFi and 2-Wire SL-Bus for advanced control & configuration
Environmental	Operating Temperature	-10°C...+70°C
	Humidity	95% RH y, non-condensing
	Usage	Indoor/Dry location use only
Mechanical	Mounting/Fittings	Snap fit type/ front side insertion into support frame
	Dimension/Weight	42(W) x 42(H) x 50(D) (in mm)/ 120gm
	Connector Type	Screwless Type, COLOR Coded
	Connector Contacts	LIVE, NEUTRAL, CH1, CH2, SL-Bus1, SL-Bus2
Safety	Protection	4A Fast blowing fuse, Load over current Protection
	Approvals	ISI, CE (in progress)

*All specifications, product casings are valid at normal input voltage, full load and +25°C after warm-up time unless otherwise stated and subject to change without prior notice.