



IR BLASTER

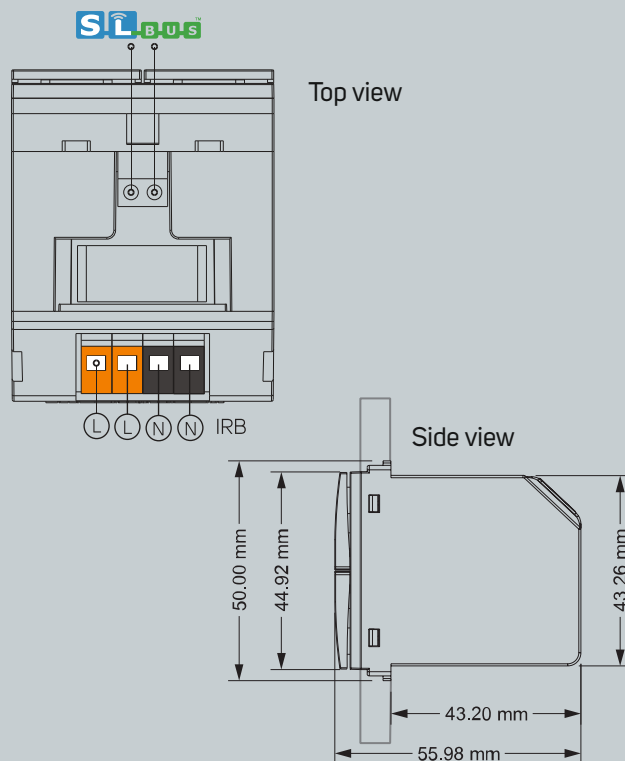
(OS-SS-IRB-CTL-2M-XX)

(Fits so easily on a 2 module junction box)

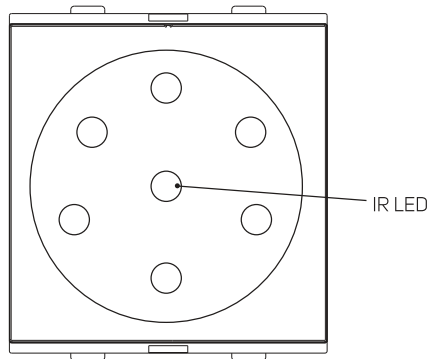
Available in:



Black



Specifications Front view



Features :

- One Universal IR Receiver for learning purpose and Seven IR Transmitter to Blast the IR code in 120 degree cone.
- Basic Push buttons for addressing and network reset purpose.
- Backlit indication to indicate IR commands invocation status.
- Programmable Backlit LED intensity to suit your need.
- Stylish, Innovative, Modular and Compact design.
- Universal, can learn and store upto 256 different remote key patterns.
- Can assign multiple IR codes (Max 8/button) sequence for one IR button control.
- Support IEEE802.11b/g/n Wi-Fi Standards.
- Built-in Scheduler.
- Works with all types of Off-The Shelves Home Electronics devices.
- Programmable delay between multiple keys programmed to seamless multiple devices control.
- IR Button press invocation as scene setting, this offers sophisticated control of IR devices from wall scene controller.
- Automatic Firmware upgrade over the air.

System Requirements :

- OSUM-BPS to power the SL-BUS (optional,if youare networking the devices over wired bus)
- Android version 6.1 and above, IOS version 12.0 and above, IPADOS version 11.0 and above, with Wi-Fi connectivity.
- OSUMONE User App to control the system. (downloadable from Play Store & App Store)
- Other Osum devices to form the complete system.

Technical Specification :

Parameter	Type	Remarks
Power	AC Input	Universal Range 90-264VAC, 47-63 Hz/ 4Amp (Max)
	Idle Power Consumption	Less than 0.2W(Average)
Control Inputs	Control and Configuration	WiFi and 2-Wire SL-Bus for advanced control & configuration
Environmental	Operating Temperature	-10°C...+70°C
	Humidity	95% RH y, non-condensing
	Usage	Indoor/Dry location use only
Mechanical	Mounting/Fittings	Snap fit type/ front side insertion into support frame
	Dimension/Weight	42(W) x 42(H) x 50(D) (in mm)/ 120gm
	Connector Type	Screwless Type, COLOR Coded
	Connector Contacts	LIVE, NEUTRAL, SL-Bus1, SL-Bus2
Safety	Protection	4A Fast blowing fuse, Load over current Protection
	Approvals	ISI, CE (in progress)

*All specifications, product casings are valid at normal input voltage, full load and +25°C after warm-up time unless otherwise stated and subject to change without prior notice.